

2018 PAINT THE PLUG

DOWNTOWN TULARE FIRE PLUG PAINTING CONTEST



This contest is for groups and individuals who like to paint, decorate and have fun!

The Tulare Fire Department and Tulare Downtown Association invite you to join us for fire hydrant painting!

Presented by



Altura Centers for Health



Tulare Downtown Foundation



Tulare Fire Department

For rules and application, please visit http://tularedowntown.com/fire_hydrant.pdf

For more information, please contact Tulare Downtown Association office at (559)685-2350

or Arlene Ealy at arlene@tularedowntown.com

Visit Facebook @ Tulare Downtown

DEADLINE FOR ENTRY: SEPTEMBER 20, 2018

PAINTING DATE: OCTOBER 3, 2018 – OCT 10, 2018

2018 PAINT THE PLUG

Fire Hydrant Painting Contest Rules

- ☑ The design should be appropriate for a public space and should not be political in nature, or be offensive in any way.
- ☑ Potential design themes include:
 - Designs inspired by the Historic Places, People and Events in Tulare
 - Designs with a whimsical or humorous twist that will make viewers smile in Tulare.
 - Context-sensitive designs that would uniquely connect a particular fire hydrant with its immediate surroundings;
 - Colorful, abstract designs.
- ☐ The public and private space immediately around the fire hydrant should be kept clean and neat when not directly working on the fire hydrant. Please respect the property.
- ☑ Registration is open from Sept 4, 2018 to Oct 1, 2018. Proposed designs must be submitted for approval during this period. **Selected applicants will be notified no later than Wednesday, Oct 3, 2018.**
- ☑ Painting of fire hydrants can begin on **upon notification from the Tulare Downtown Foundation and last through Wednesday, October 10, 2018.**
- ☑ Only designated fire hydrants along “K” Street are potential candidates for painting.
- ☑ The Tulare Downtown Foundation will provide brushes and paint for decorating the fire hydrants.
- ☑ Paint only on the assigned fire hydrant. The **Chains cannot** be painted. The **Caps must be able to Open** after the paint dries.
- ☑ You must use only the paint provided. Nothing can be attached to the fire hydrant.
- ☑ If words are included in your design, all words must be approved as a part of the design.
- ☑ You may use stencils, air brush with masking tape, or freehand your design.
- ☑ You must apply the design submitted in this application. If you desire to make changes, you must seek the Tulare Downtown Foundation’s approval prior to changing your design.
- ☑ If rules are not followed your hydrant will be painted over.
- ☑ Fire hydrants that fall into a state that no longer enhance the immediate area will be painted over. For example, a hydrant that begins to peel or otherwise deteriorate.
- ☑ Any questions should be addressed to John Harman at (559)685-2350 or Arlene Ealy: arlene@tularedowntown.com
- ☑ Tulare Downtown Foundation will be basing their decision to approve applications for painting based on creativity, originality, imagination, and appropriateness.
- ☑ By participating in the Fire Hydrant Design Contest you acknowledge that Tulare Downtown Foundation and its affiliates are not responsible in any way for any injury or property damage directly or indirectly associated with this contest.
- ☑ By signing you have made all participants aware of all rules, guidelines and criteria associated with this contest.

Authorized Person’s Signature: _____ Date: _____

2018 PAINT THE PLUG

Tulare Fire Department — Altura Centers for Health — Tulare Downtown Foundation

Fire Hydrant Painting Contest

APPLICATION

Full Name of Individual/Organization/Application: _____

Mailing Address: _____

Phone Number: _____ Email: _____

Name of Contact: _____

Location of 1st Choice Hydrant Hydrant # _____ Street _____

(See Location Description and Hydrant ID for available hydrants. They will be assigned on a first come, first serve basis)

Location of 2nd Choice Hydrant Hydrant # _____ Street _____

Location of 3rd Choice Hydrant Hydrant # _____ Street _____

Briefly describe your Fire Hydrant Painting Proposal (Max. 50 words):

Do you have any past experience with public cultural and art programs? If so, please describe:

Number of people participating in this project: _____

Please include a complete color proposal of your design using the template form (Required – Front & Back). Completed Application Form, Signed Contest Rules and Graphic Design (front and back) must be submitted and postmarked by mail on or before Oct 1, 2018..

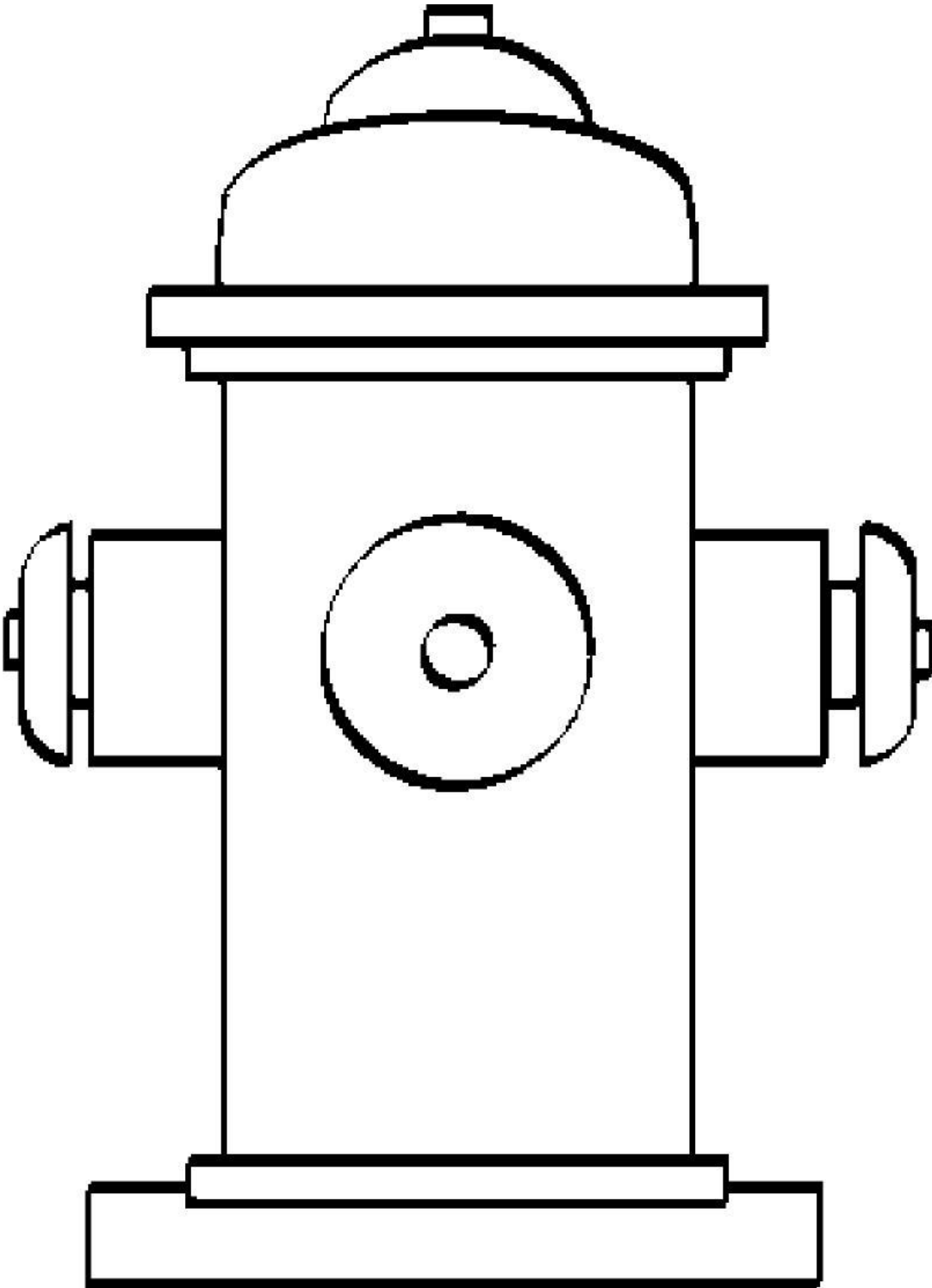
For questions call John Harman at (559)685-2350 or Arlene Ealy: arlene@tularedowntown.com

Brief description of your hydrant art design:

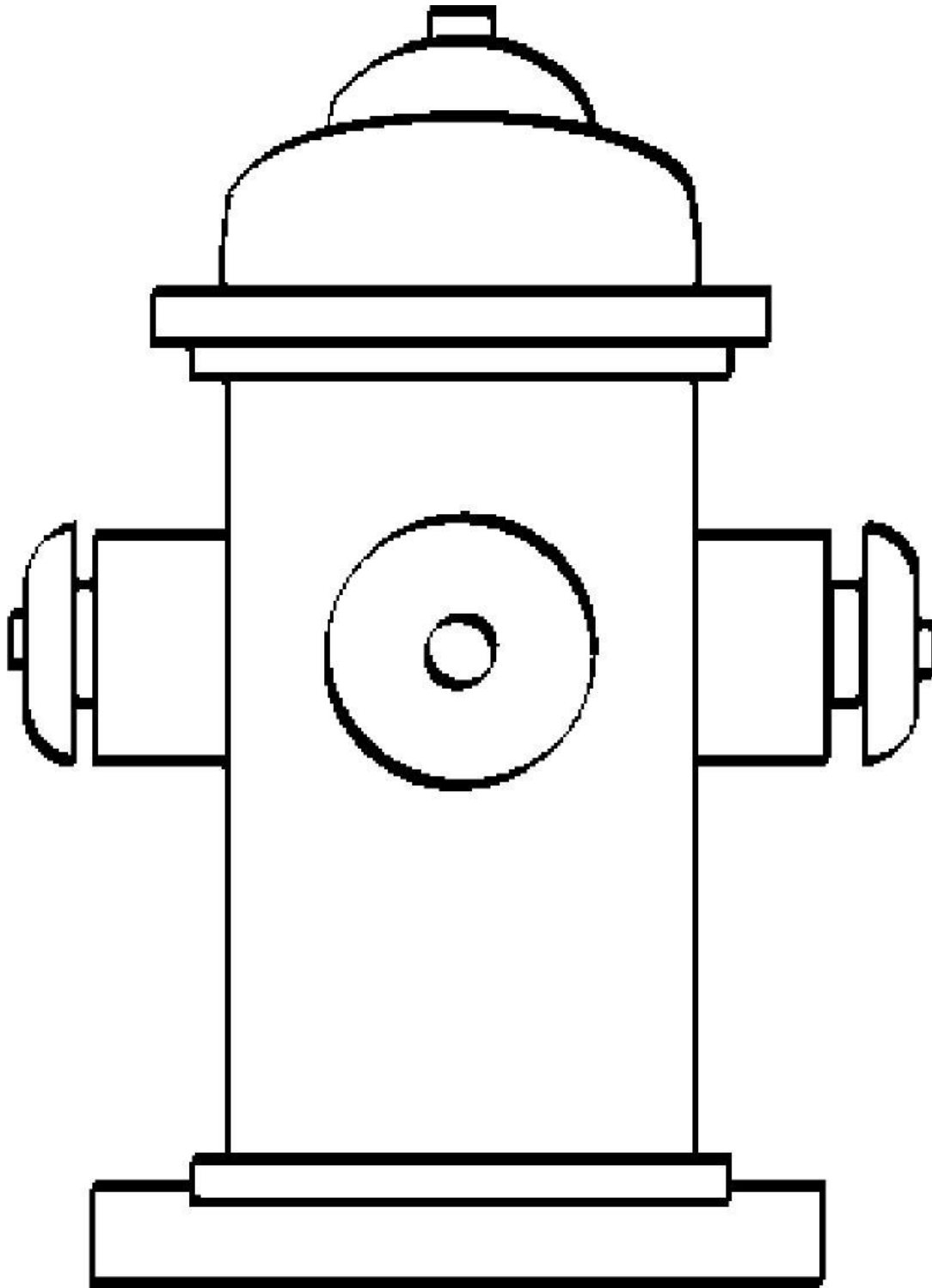
2018 PAINT THE PLUG

Fire Hydrant Painting Contest

DESIGN PROPOSAL (FRONT VIEW)



DESIGN PROPOSAL (BACK VIEW)



2018 PAINT THE PLUG

Fire Hydrant Painting Contest

FREQUENTLY ASKED QUESTIONS

Q. Is there a minimum age to participate?

A. No, youth are encouraged to participate under the supervision of an adult.

Q. Do I have to be an artist to participate?

A. No, people of all skill levels are encouraged to participate?

Q. Can a group, club, organization or business participate?

A. Yes, Individuals, groups, organizations, businesses, etc. are encouraged to participate.

Q. Can I use my own paint?

A. No, paint will be provided to you because a specific paint must be used.

Q. Do I need to live in the City of Tulare to participate?

A. No, this contest is open to all who want to participate.

Q. Can I change the design after it is submitted?

A. Must have written approval from the Tulare Downtown Foundation.

Q. Can I select the fire hydrant I want to paint?

A. You can select a preference based on the Location in the application, but a hydrant will be assigned to you.

Q. Can I paint more than one fire hydrant?

A. Yes.

Q. Who will be the recipient of the award?

A. The Official Applicant will be the Individual/Organizations/Business named on the Application.

Q. Can I paint my business logo on the fire hydrant?

A. Yes, You will need written permission from the owner, if owner is not the applicant.

For more information, please visit www.tularedowntown.com or contact John Harman at (559)685-2350 or Arlene Ealy: arlene@tularedowntown.com

Find us on Facebook at Tulare Downtown

CROSS AVE



2018 PAINT THE PLUG

SAN JOAQUIN AVE

When filing out your application, use this map as a guide as to where you would like to paint.

Please give us your first, second and third choices. No location is guaranteed; we will do our best to give you one of your choices or something close by.



KING AVE

K STREET



TULARE AVE



KERN AVE



INYO AVE

